

IEC Appliance Inlet C18, Screw-on Mounting, Front Side, Solder or Quick-connect, PCB or Screw Terminal



C18



70 °C

**Description**

- Panel Mount:
Screw-on mounting, Frontside
- Appliance Inlet, Pin temperature 70 °C, Protection class II
- Solder, quick-connect, screw, PCB

Approvals

- VDE Certificate Number: 40011871
- UL File Number: E96454
- CSA File Number: 27324

References

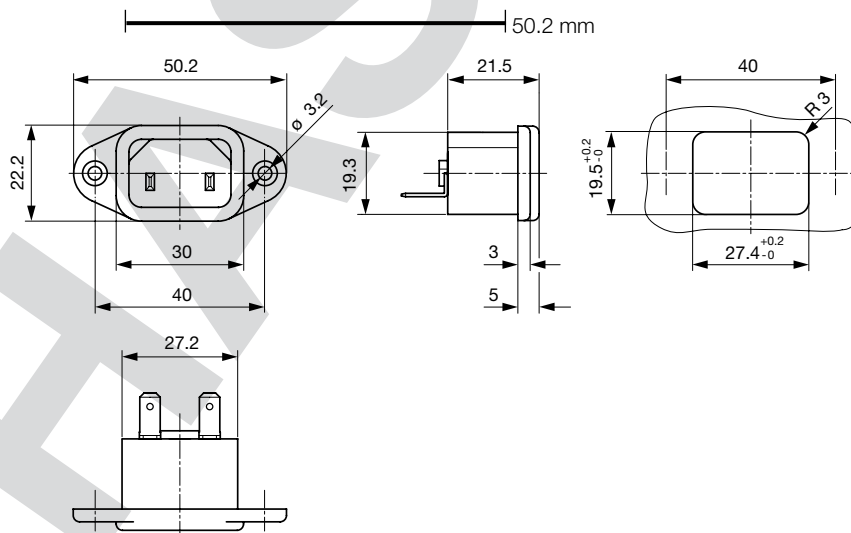
We recommend for new applications the type [6102-3](#)
Last order possibility: 10.12.2010

Weblinks

[pdf, html, General Product Information, Approvals, RoHS, CHINA-RoHS, Mating Connectors, e-Shop, SCHURTER-Stock-Check, Distributor-Stock-Check, Accessories, Detailed request for product](#)

Technical Data

Ratings IEC	10A / 250VAC; 50 Hz	Appliance Inlet	C18 acc. to IEC/EN 60320-1
Ratings UL/CSA	15A / 250VAC; 60 Hz		UL 498, CSA C22.2 no. 42 (for cold conditions) pin-temperature 70 °C, 10A, Protection Class 2
Dielectric Strength	> 3kVAC between L-N > 1.5kVAC between L/N-PE (1 min/50Hz)		
Allowable Operation Temp.	-25 °C to 70 °C		
Degree of Protection	from front side IP 20 acc. to IEC 60529		
Protection Class	Suitable for appliances with protection class 2 acc. to IEC 61140		
Terminal	Solder, quick-connect, screw, PCB		
Material: Housing	PA6, black / grey / white, UL 94V-0		

Dimensions

Length of the terminal please find at the order code configuration table

Config. Code

6065 - H - A B C 0- D - E

The characters are placeholders for the correspondingly keys of selections from the key tables.

6065 - H - A B C 0- D - E = Type

Type	Configuration key
protection class 2	B

6065 - H - A B C 0- D - E = Terminals

Terminal L	Configuration key
short solder terminal (L = 4.8 mm)	2
long solder terminal (L = 8.5 mm)	3
Blade terminal (2.8 x 0.8 mm)	7
Blade terminal (4.8 x 0.8 mm)	8
Blade terminal (6.3 x 0.8 mm)	9
screw terminal	A



6065 - H - A B C 0- D - E = Terminals

Terminal N	Configuration key
short solder terminal (L = 4.8 mm)	2
long solder terminal (L = 8.5 mm)	3
Blade terminal (2.8 x 0.8 mm)	7
Blade terminal (4.8 x 0.8 mm)	8
Blade terminal (6.3 x 0.8 mm)	9
screw terminal	A

Symbols similar as in table A

Variants

Config. Code	Description	Order Number
6065-X-2700-D-1	6065, IEC Appliance Inlet C18, 70°C, version: 2, L: short solder terminal (L = 4.8 mm), N: Blade terminal (2.8 x 0.8 mm), ground: without terminal, color: White, design: flange with countersunk holes, dimension X: , features:	test

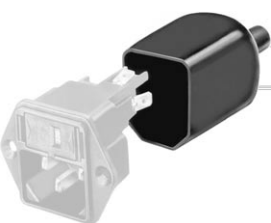
The listed variants should be available from stock. Other versions on request www.schurter.com/contact

Packaging unit

50 Pcs

Accessories

Description



Assorted Covers
Rear Cover

6065 - H - A B C 0- D - E = Terminals

Terminal Ground	Configuration key
without terminal	0

Symbols similar as in table A

6065 - H - A B C 0- D - E = Color

Color	Configuration key
Black	A
White	D

6065 - H - A B C 0- D - E = Style

Style	Configuration key
flange with countersunk holes	1
flange with through holes	2

Mating Outlets/Connectors

Category / Description

[Connector Overview complete](#)

IEC Connector C15, Rewireable, Straight	0101
IEC Connector C15A, Rewireable, Straight	0102
IEC Connector C15A, Rewireable, Straight	0102-G
IEC Connector C15A, Rewireable, Angled	0112
IEC Connector C13, Rewireable, Angled	4012
Connector further types to6065	...

[Power Cord Overview complete](#)

Power Cord with IEC Connector C17, Angled	0301
Power Cord with IEC Connector C13, Angled	0311
Power Cord with IEC Connector C13, Angled	3011
Power Cord with IEC Connector C13, Angled	3012
Power Cord with IEC Connector C13, Angled	3013
Power Cord further types to6065	...

[Power Supply or Interconnection Cord Overview complete](#)

Diverse Power Supply and Interconnection Cords 10 A	Cord Sets 10 A
Power Supply or Interconnection Cord further types to6065	